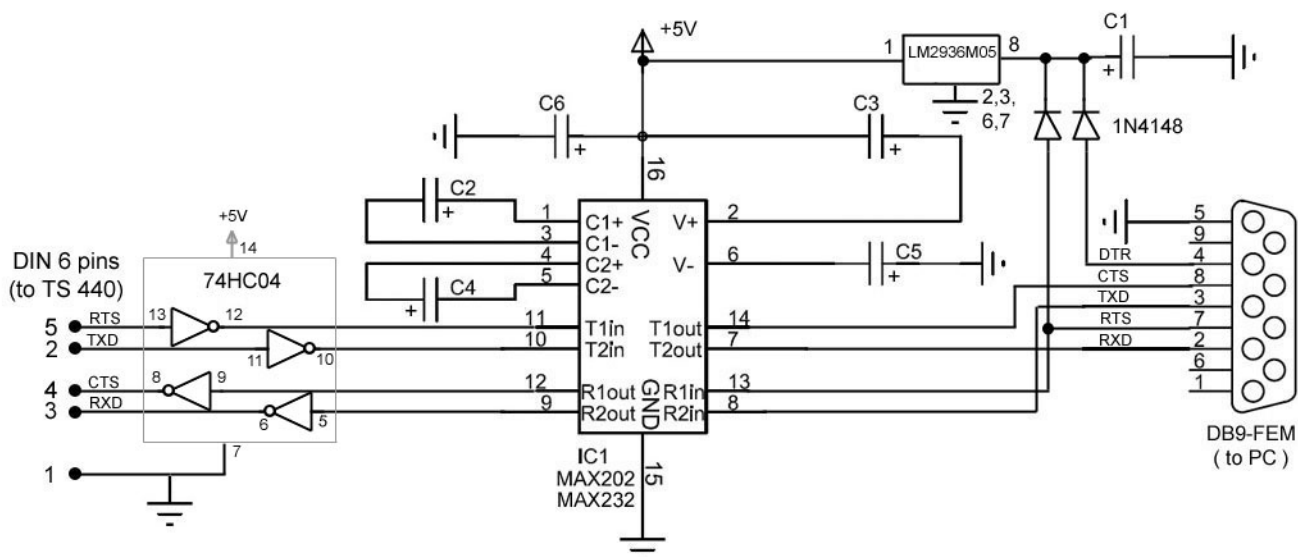


Interface TS440 / PC

By Jean-Jacques F1EHN – 06/2005

1. Schematic



C1 = 1 to 10 μ F C2 to C6 = 100nF(Max202) to 1 μ F(Max232)

2. In/Out Signals

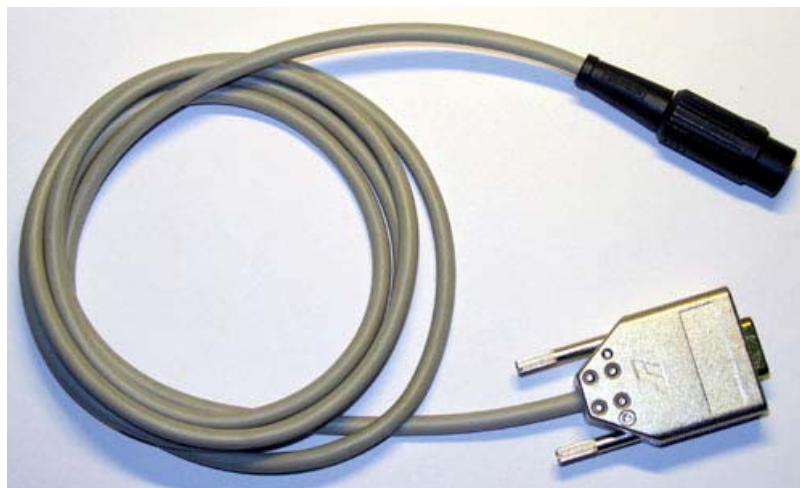
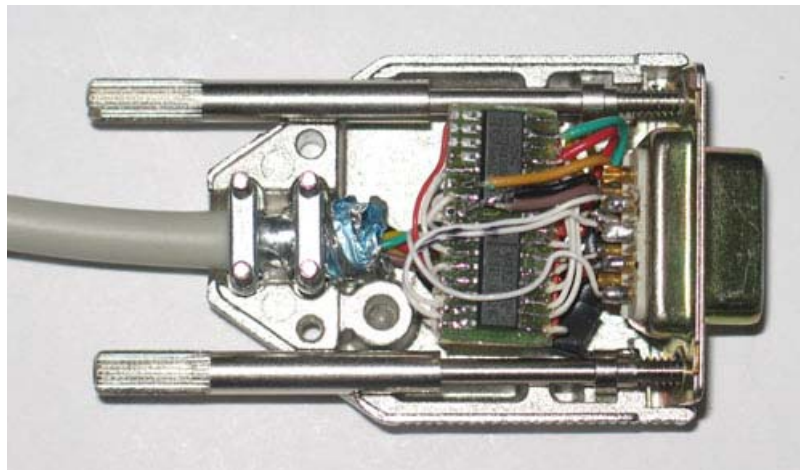
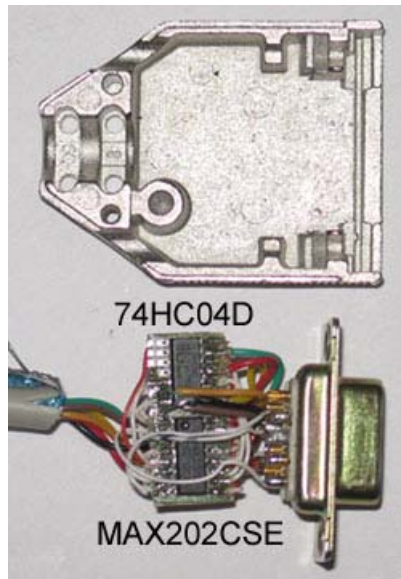
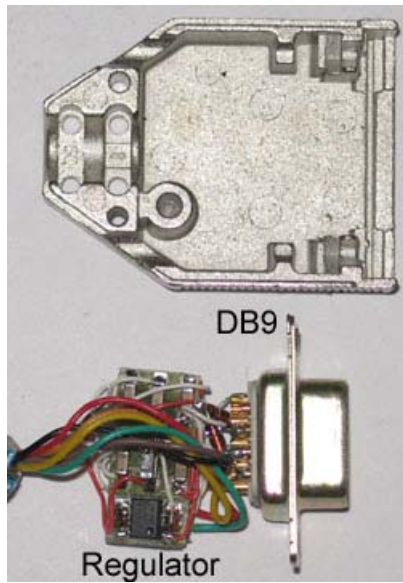
To the TS 440 (ACC-1 connector) :

- 1 Gnd Signal ground
- 2 TXD Serial data from TS440 to PC
- 3 RXD Serial data from PC to TS440
- 4 CTS PC ready (TS440 input)
- 5 RTS TS440 ready (TS440 output)

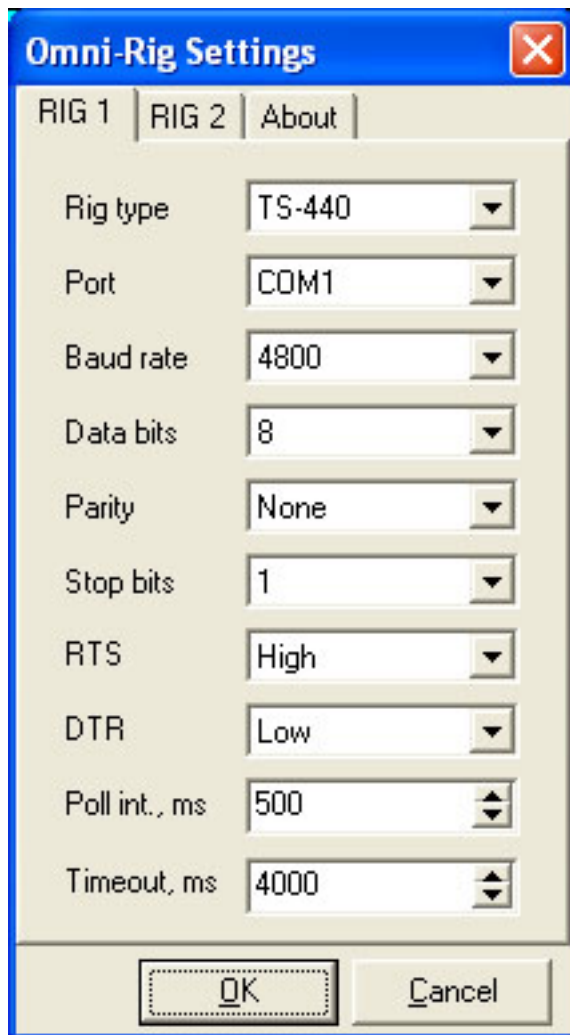
To the computer (PC - RS 232) :

- 2 RXD Serial data from TS440 to PC
- 3 TXD Serial data from PC to TS440
- 4 DTR Data Terminal Ready – to 1N4148
- 5 Gnd Signal ground
- 7 RTS Request To Send – to 1N4148

3. Wiring (example)



4. Dialog setup



The image shows a Windows-style dialog box titled "Omni-Rig Settings". It has a blue title bar with a close button (X) in the top right corner. Below the title bar are three tabs: "RIG 1", "RIG 2", and "About", with "RIG 1" being the active tab. The dialog contains several settings, each with a label and a control:

- Rig type: TS-440 (dropdown menu)
- Port: COM1 (dropdown menu)
- Baud rate: 4800 (dropdown menu)
- Data bits: 8 (dropdown menu)
- Parity: None (dropdown menu)
- Stop bits: 1 (dropdown menu)
- RTS: High (dropdown menu)
- DTR: Low (dropdown menu)
- Poll int., ms: 500 (spin box)
- Timeout, ms: 4000 (spin box)

At the bottom of the dialog are two buttons: "OK" and "Cancel".