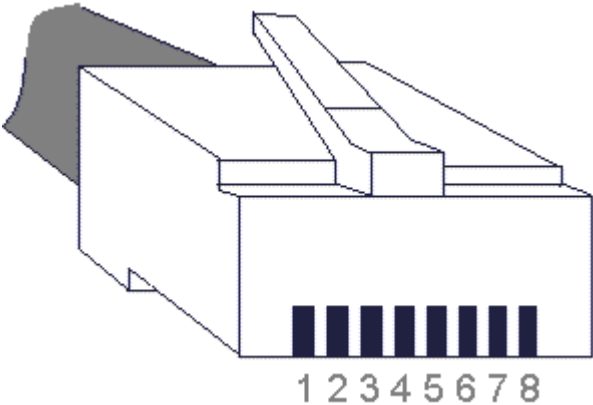
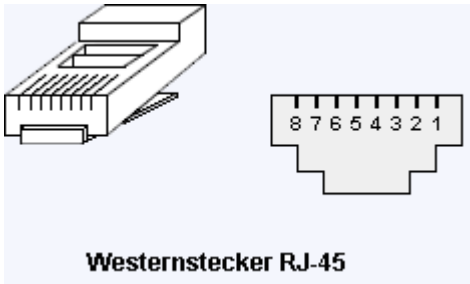


Wouxun KG-UV920R + KG-UV950P programming interface pinout



- PIN 8 --- GND
- PIN 7 --- RX DATA
- PIN 6--- GND
- PIN 5 --- TX DATA